

PROFORCE 1500XP (WITH Quick Release Hose)

HOW TO CLEAR HOSE AND WAND OBSTRUCTIONS

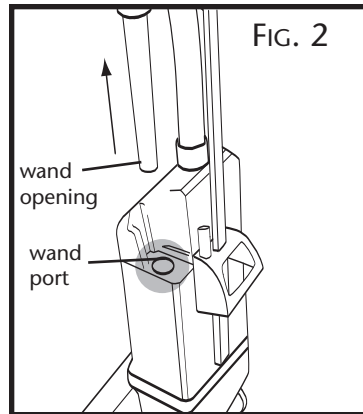
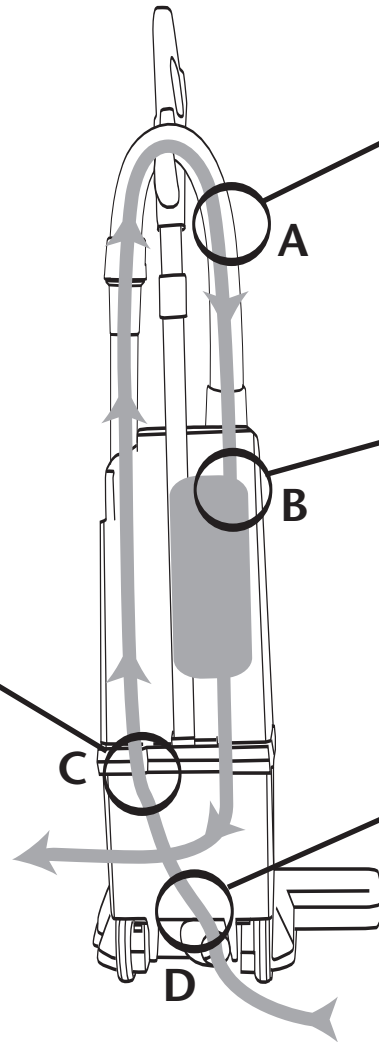
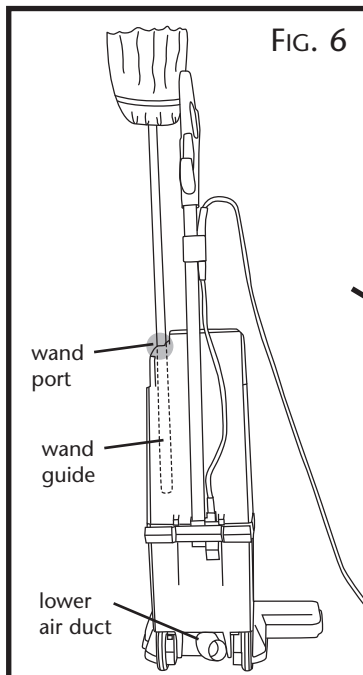
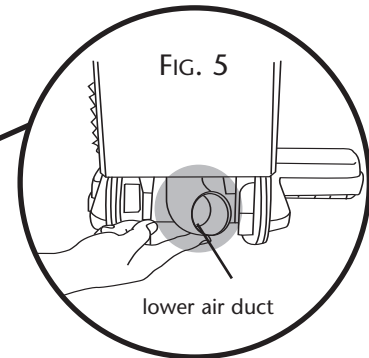
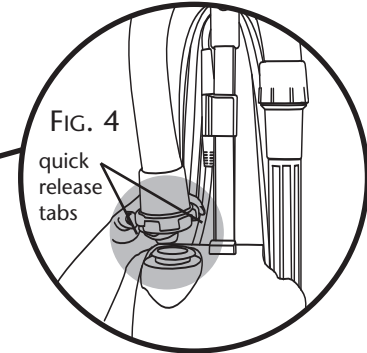
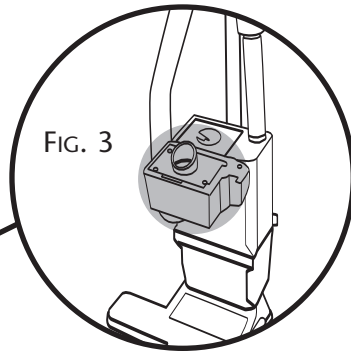


FIG. 1 - AIRFLOW PATH AND POSSIBLE OBSTRUCTION LOCATIONS



- 1) Familiarize yourself with air flow path and possible obstruction locations (FIG 1).
- 2) To determine obstruction location, remove wand from port. (FIG 2). Turn on vacuum and place hand over wand opening to check for proper suction. If no suction exists, blockage is at location A or B (as shown in FIG 1) and proceed to Step 3. If there is proper suction, the blockage is at location C or D (as shown in FIG 1) and proceed to Step 5.
- 3) Open Bag Housing Cover (FIG. 3) and replace Intercept Micro Filter. A full filter will restrict airflow.
- 4) Remove hose from the bag housing cover by using the quick release tabs. (FIG. 4). Look into upper hose and wand. Shake or insert broom handle to clear any visible debris. Replace hose and wand on vacuum.
- 5) If blockage is not in the wand or upper hose, disconnect the lower air duct hose on the back of the power nozzle (FIG 5). Visually check the lower air duct hose for debris and remove. To check for unobstructed air flow, turn on vacuum and place hand over opening on lower air duct. If you feel proper suction, reconnect lower air duct and resume vacuuming. If blockage is not in lower air duct hose, proceed to step 6.
- 6) With bottom air duct hose and upper hose and wand disconnected, carefully insert a broom handle (or any similar item like a short length of hose, pipe, etc) approximately 18 inches into wand guide on top of vacuum housing (FIG. 6) to dislodge obstruction or debris. Debris should then drop or move into the lower air duct where you can then remove it with your hand (FIG 5).
- 7) Reconnect the lower air duct and upper hose assembly, and power on the vacuum.

If obstruction still remains, take unit to nearest ProTeam Service Center or call ProTeam Customer Service at 866.888.2168.

PROFORCE 1500XP (WITHOUT Quick Release Hose)

HOW TO CLEAR HOSE AND WAND OBSTRUCTIONS

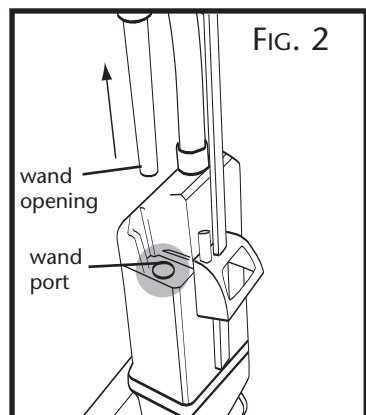
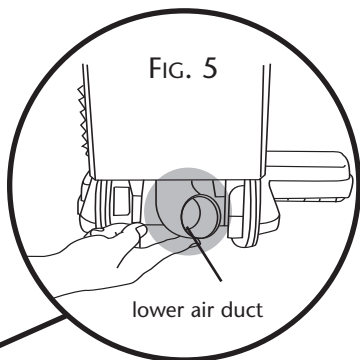
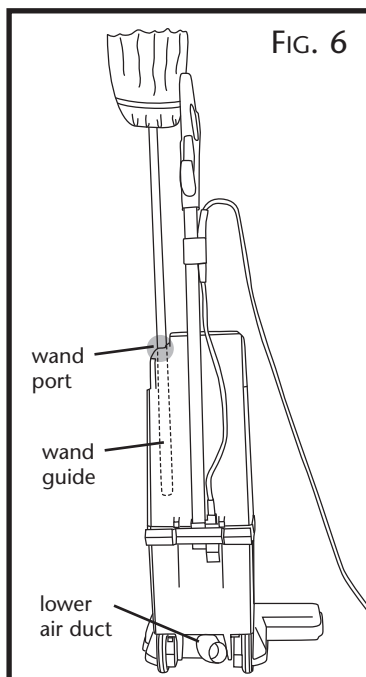
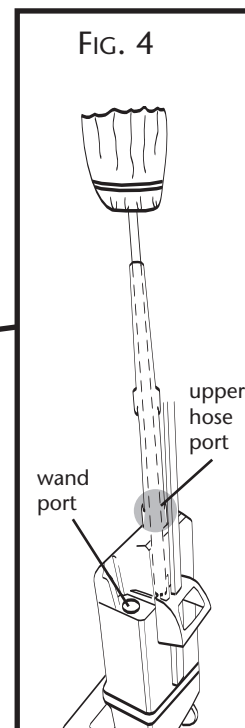
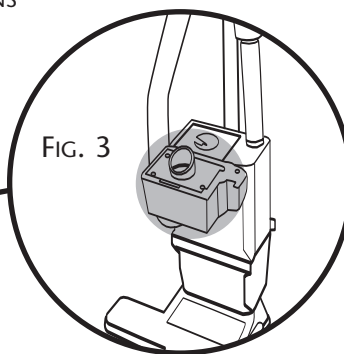
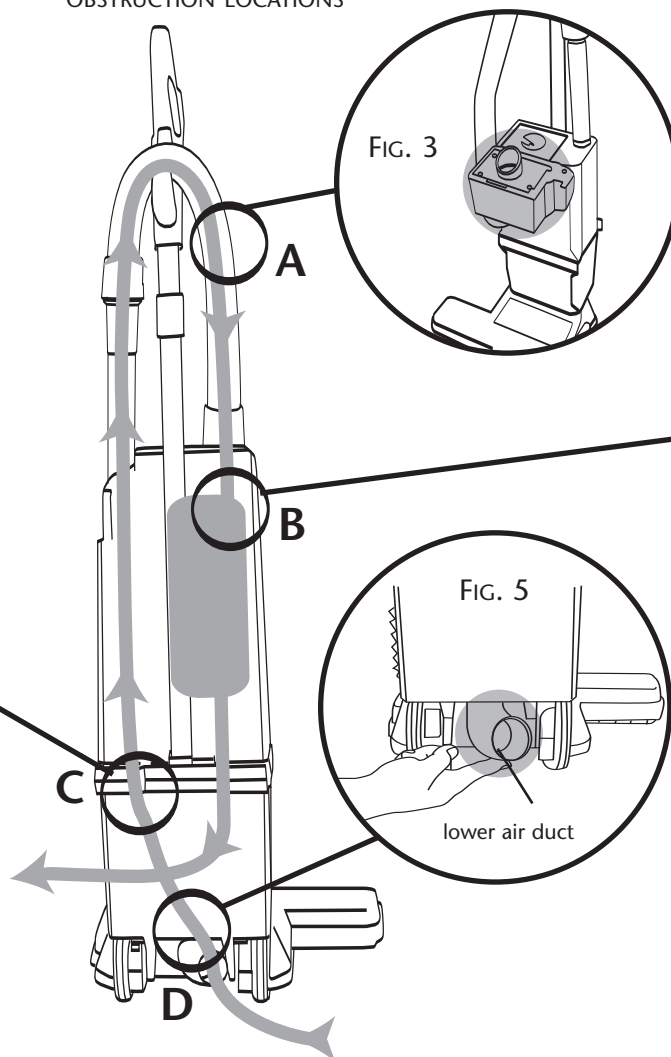


FIG. 1 - AIRFLOW PATH AND POSSIBLE OBSTRUCTION LOCATIONS



- 1) Familiarize yourself with air flow path and possible obstruction locations (FIG 1).
- 2) To determine obstruction location, remove wand from port. (FIG 2). Turn on vacuum and place hand over wand opening to check for proper suction. If no suction exists, blockage is at location A or B (as shown in FIG 1) and proceed to Step 3. If there is proper suction, the blockage is at location C or D (as shown in FIG 1) and proceed to Step 5.
- 3) Open Bag Housing Cover (FIG. 3) and replace Intercept Micro Filter. A full filter will restrict airflow.
- 4) Shake upper hose and wand. Insert broom handle down wand and hose to clear any visible debris (FIG. 3). Replace wand into wand port.
- 5) If blockage is not in the wand or upper hose, disconnect the lower air duct hose on the back of the power nozzle (FIG 5). Visually check the lower air duct hose for debris and remove. To check for unobstructed air flow, turn on vacuum and place hand over opening on lower air duct. If you feel proper suction, reconnect lower air duct and resume vacuuming. If blockage is not in lower air duct hose, proceed to step 6.
- 6) With bottom air duct hose and upper wand removed from wand guide, carefully insert a broom handle (or any similar item like a short length of hose, pipe, etc) down the wand guide on top of vacuum housing approximately 18 inches (FIG. 6) to dislodge obstruction or debris. Debris should then drop or move into the lower air duct where you can then remove it with your hand (FIG 5).
- 7) Reconnect the lower air duct and upper hose assembly, and power on the vacuum.

If obstruction still remains, take unit to nearest ProTeam Service Center or call ProTeam Customer Service at 866.888.2168.

